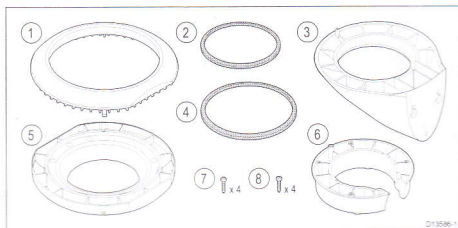


Deck mounting kit parts supplied



1. Mounting trim
2. Small sealing ring
3. Wall bracket
4. Large sealing ring
5. Mounting tray
6. Riser
7. 4 x fixings: (M4 x 20 Pan head pozi)
8. 4 x fixings: (Dia. 3 x 12 Pan head pozi)

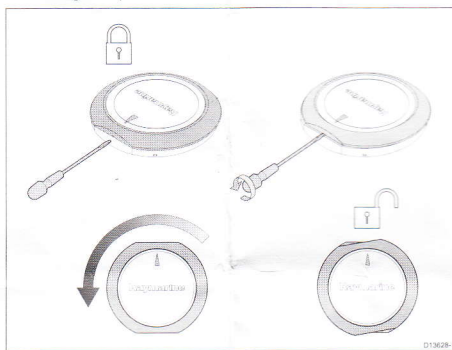
Accessory compatibility

This accessory can be used with the following products:

Product description	Part number
RS150 GNSS Receiver	E70310
Micro-Talk Gateway	E70361

Releasing the unit from the adaptor

Follow the steps below to release the unit from the Mounting adaptor.



1. Insert the flat of a small flat blade screw driver, or similar tool into the release hole located on the flat edge of the mounting adaptor and twist the screw driver 90°, so that there is a small gap between the Mounting trim and Mounting tray.

Important: To help prevent scratching the product, cover the tip of your screw driver with a small piece of insulation tape.

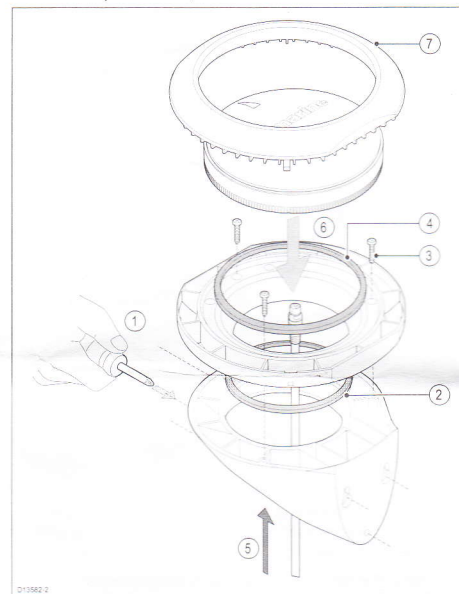
2. Twist the Mounting trim counter-clockwise approximately 10° and then lift away from the unit.

Bracket mounting using the Deck mounting kit

The Deck mounting kit (A80437) can be used to wall mount your product.

The Riser piece is not required for bracket mounting the product.

Ensure that the chosen location meets the product's location requirements, see for details.



1. Use the Mounting bracket template (87170) to drill 3 pilot holes in the vertical mounting surface. Secure the mounting bracket to the surface using the supplied screws.
2. Place the small sealing ring in the groove located on the bottom of the Mounting tray.
3. Secure the tray to the bracket using 3 of the supplied screws, in the positions indicated in the illustration above.
4. Place the large sealing ring into the groove on the upper side of the Mounting tray.
5. Pull the SeaTalkng® cable through the center of the bracket and tray. Plug in the cable connector on the underside of the unit and secure by rotating the locking collar clockwise 2 clicks.

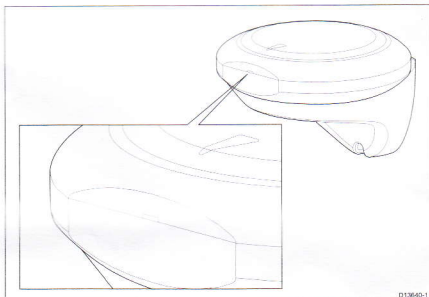
PAGE 2

6. Insert the unit into the mounting tray, ensuring the tabs in the Mounting tray are slotted into the grooves around the edge of the unit.

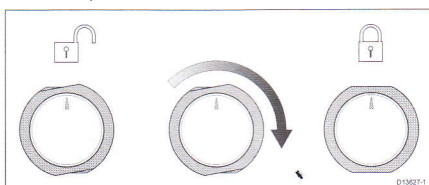
Important:

Unit orientation is not important with the RS150, aesthetically the unit may look better with the LED 'arrow' pointing towards the vessel's bow.

7. Orientate the Mounting trim so that the release hole is accessible when mounted.



8. Place the Mounting trim over the unit slightly offset, and then twist the Mounting trim clockwise until it locks into position.

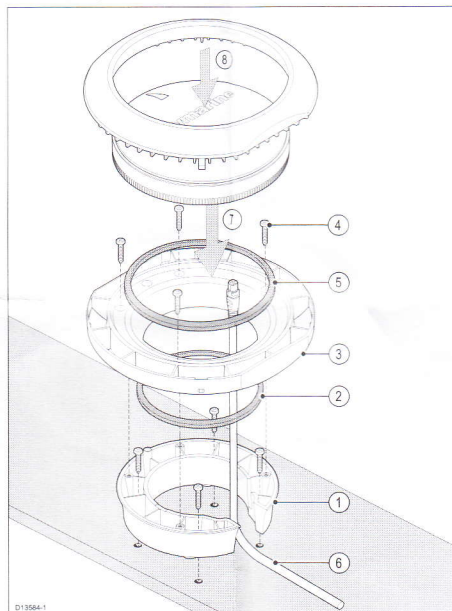


Surface mounting using the Riser

The Deck mounting kit (A80437) can be used to raise the product from the mounting surface.

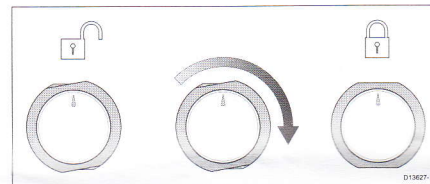
The Wall bracket is not required when using the Riser.

Ensure that the chosen location meets the product's location requirements, see for details.



1. Use the supplied Deck mount riser template (87280) to drill 4 holes in the mounting surface. Secure the Riser to the mounting surface using 4x supplied fixings.
2. Place the small sealing ring in the groove located on the bottom of the mounting tray.
3. Position the Mounting tray on top of the Riser.

4. Secure the Mounting tray to the Riser using 3x supplied fixings.
5. Place the large sealing ring into the groove on the upper side of the Mounting tray.
6. Pull the SeaTalkng® cable through the Riser and Mounting tray. Plug in the cable connector on the underside of the unit and secure by rotating the locking collar clockwise 2 clicks.
7. Insert the unit into the mounting tray, ensuring the tabs in the Mounting tray are slotted into the grooves around the edge of the unit.
8. Place the Mounting trim over the unit slightly offset, and then twist the Mounting trim clockwise until it locks into position.

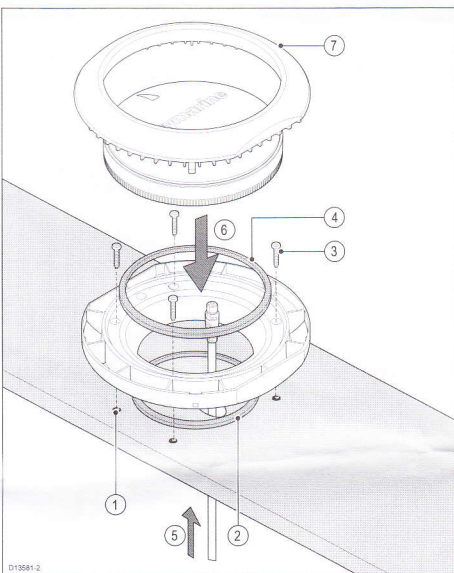


Surface mounting using the Deck mounting kit

The Deck mounting kit (A80437) can be used to surface or bracket mount your product.

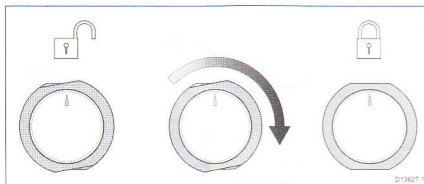
The Riser and Bracket pieces are not required for this installation.

Ensure that the chosen location meets the product's location requirements, see for details.

**Important:**

Unit orientation is not important with the RS150, aesthetically the unit may look better with the LED 'arrow' pointing towards the vessel's bow.

7. Place the Mounting trim over the unit slightly offset, and then twist the Mounting trim clockwise until it locks into position.



1. Using the Mounting tray template (87170), drill 4 holes in the mounting surface, plus a 22 mm (7/8 in) hole for the SeaTalkng® cable.
2. Place the small sealing ring in the groove located on the bottom of the mounting tray.
3. Secure the tray to the mounting surface using the 4 x fixings, supplied.
4. Place the large sealing ring in the groove on the upper side of the Mounting tray.
5. Pull the SeaTalkng® cable through the mounting surface hole and the Mounting tray. Plug in the cable connector on the underside of the unit and secure by rotating the locking collar clockwise 2 clicks.
6. Insert the unit into the mounting tray, ensuring the tabs in the Mounting tray are slotted into the grooves around the edge of the unit.